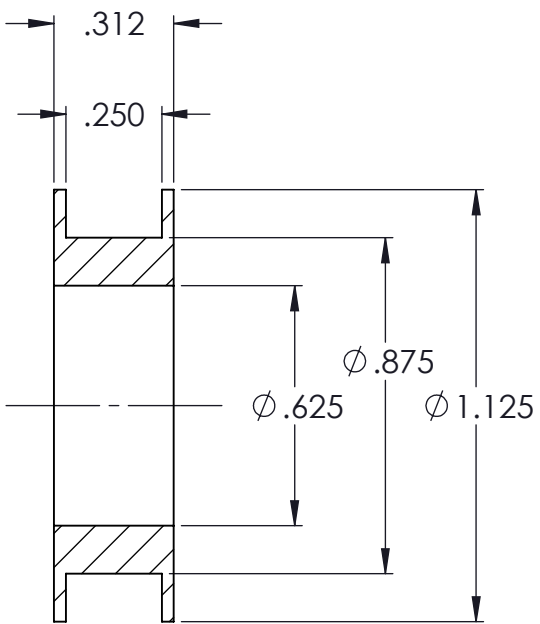
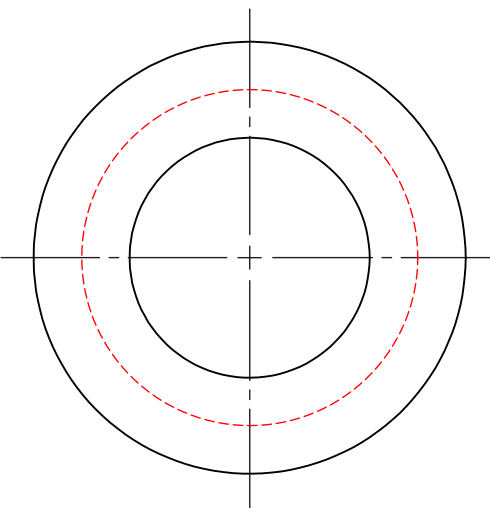


REVISIONS			
REV.	DESCRIPTION	DATE	APPROVED
1	INITIAL RELEASE OF DRAWING	5/4/2015	BS



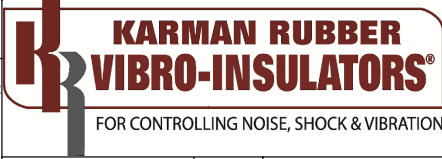
NOTES:

1 MATERIAL:ELASTOMER AND DUROMETER TO BE SPECIFIED.

QTY.	DESCRIPTION	PART NUMBER	MATERIAL OR NOTES	ITEM
	KGMS-17 (MS35489-17)	KGMS-17		1

	SIGNATURE	DATE
DRAWN	B. SENECAI	05/04/2015
CHECK	S. BROWN	05/04/2015
ENGR	B. SENECAI	05/04/2015
QA		
STRESS		
APPR		

UNLESS OTHERWISE SPECIFIED:
 DIMENSIONS ARE IN INCHES
 TOLERANCES:
 .X = ± 0.1
 .XX = ± 0.01
 .XXX = ± 0.005
 ANGLES = ± 1°
 INTERPRET GEOMETRIC
 TOLERANCING PER:
 ASME Y14.5M-1994



TITLE:
KGMS-17 (MS35489-17)
GROMMET
WWW.KARMAN.COM

SIZE	CAGE CODE	DWG. NO.	REV
B		KGMS-17	1

DO NOT SCALE DRAWING SCALE: 2:1 WEIGHT: N/A SHEET 1 OF 1

PROPRIETARY AND
 CONFIDENTIAL
 THE INFORMATION
 CONTAINED IN THIS
 DRAWING IS THE SOLE
 PROPERTY OF
 KARMAN RUBBER. ANY
 REPRODUCTION IN PART
 OR AS A WHOLE
 WITHOUT THE WRITTEN
 PERMISSION OF
 KARMAN RUBBER
 IS PROHIBITED.